



TWINTRAC STAGES

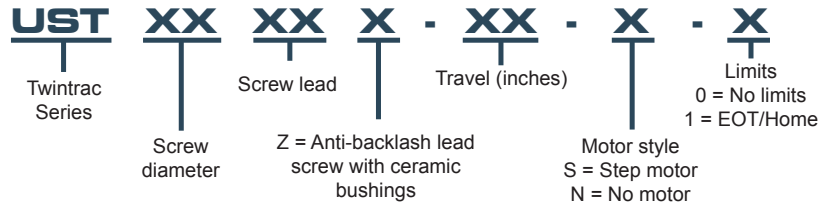
The Twintrac™ series from **USAutomation** offers moderate load carrying capabilities with all the precision that many applications need. Load support is provided by dual 1/2" diameter round rails with long life ceramic bearings. The drive screw is an anti-backlash TFE coated leadscrew. T-slots are provided on the stage for mounting and threaded holes are provided in the top of the carriage for mounting a load. This cost effective positioning system includes a 1.8° NEMA 23 step motor and coupling. Limit switches (Home and EOT) are optional.

Model Number	Dynamic Load (lbs)	Travel (in)	Lead ¹ (in)	Accuracy ² (in/in)	Max Linear Speed (in/sec)	Lead Screw Efficiency (%)	Coefficient of Friction (Constant)	Drag Torque (in/oz)	Backlash ³ (in)
UST8020-06	200	6	.200	.0006	5	63	.09	<5	0
UST8020-12	200	12	.200	.0006	5	63	.09	<5	0
UST8020-18	200	18	.200	.0006	5	63	.09	<5	0
UST8020-24	200	24	.200	.0006	5	63	.09	<5	0
UST8050-06	200	6	.500	.0006	10	79	.09	<5	0
UST8050-12	200	12	.500	.0006	10	79	.09	<5	0
UST8050-18	200	18	.500	.0006	10	79	.09	<5	0
UST8050-24	200	24	.500	.0006	10	79	.09	<5	0

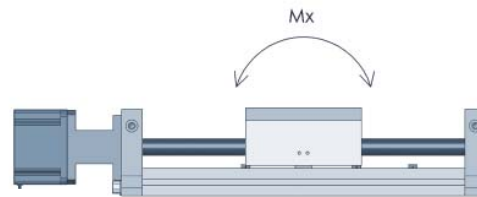
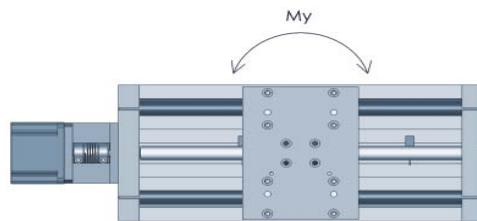
¹ Other non-stock leads and custom travel lengths are available for OEM applications.

² Accuracy of up to .0001 inch/inch available for OEM applications.

³ Self-adjusting anti-backlash nut.

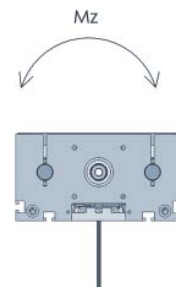


TWINTRAC MOMENT LOAD



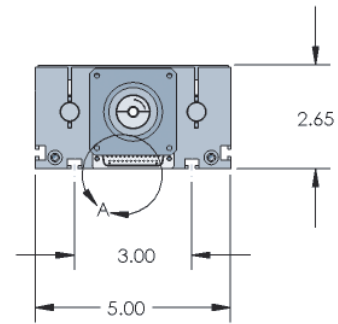
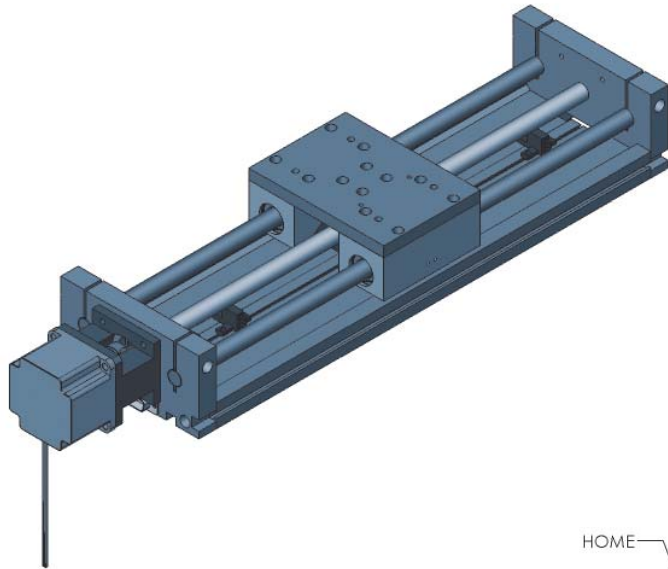
Maximum Static Moment

Mx	in-lb	30.0
My	in-lb	30.0
Mz	in-lb	20.0

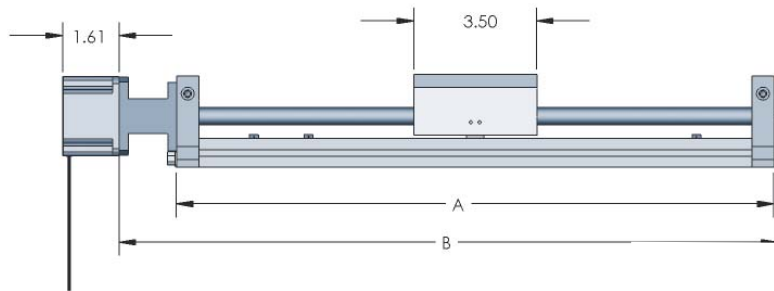
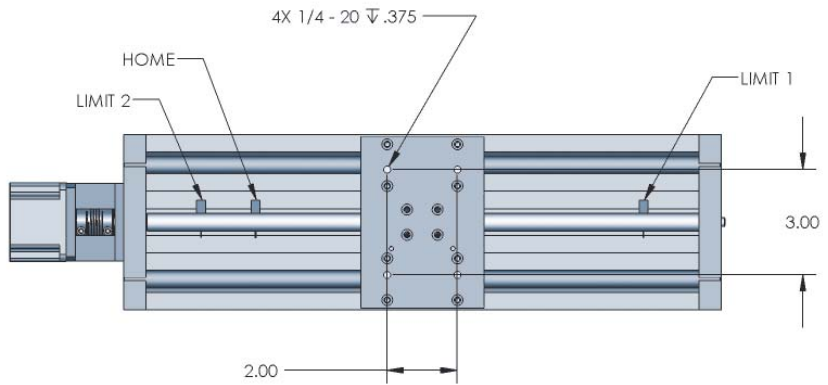
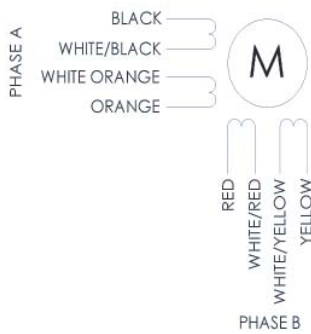




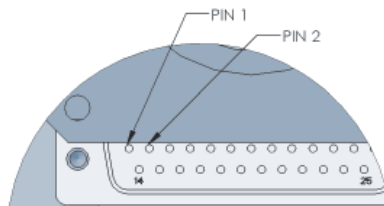
TWINTRAC STAGE DRAWINGS



MOTOR WIRE DIAGRAM



PIN	CONNECT
1	V +
2	COMMON
3	LIMIT 1 OUTPUT
4	HOME OUTPUT
5	LIMIT 2 OUTPUT



TRAVEL	DIM "A"	DIM "B"
in (mm)	in (mm)	in (mm)
6 (152.4)	11.1 (281.9)	12.75 (323.9)
12 (304.8)	17.01 (432.1)	18.75 (476.3)
18 (457.2)	23.01 (584.5)	24.75 (628.7)
24 (609.6)	29.01 (736.9)	30.75 (781.1)

